

OPPLE Outdoor LIGHTING EXPERT



Dustproof & Waterproof



Impact Resistant



Wind-Resistance



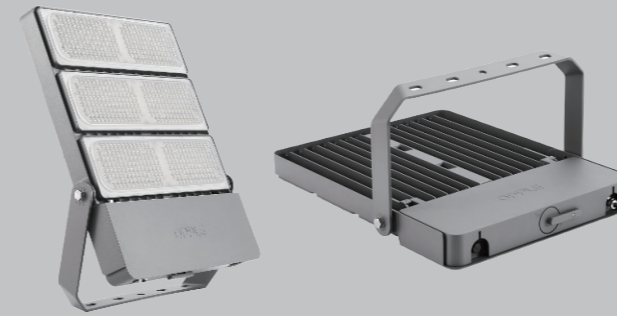
Rustproof



-40+50°C
Ambient Temperature



Up to 10KV
Surge Protection



LED Floodlight E3



Up to 140 lm/W



8yrs Care Free



Dustproof & Waterproof



Impact Resistant



Wind-Resistance



Rustproof



-40+50°C
Ambient Temperature



Up to 10KV
Surge Protection

Application



Stadium



Airport



Port



Landscape



Architecture



Billboard



Transportation

Specification

Item Code	Item Description	Power (W)	CCT (K)	Power Factor	Lumen (lm)	Efficacy (lm/W)	Input Current (A)	Lifetime (L70B50)	MOQ (pcs)
709000024900	LED Floodlight-E III 250W-3000-120+30D-GY-GP	250	3000	0.95	31250	125	1188	50000	100
709000025100	LED Floodlight-E III 250W-5700-120+30D-GY-GP	250	5700	0.95	32500	130	1188	50000	100
709000025200	LED Floodlight-E III 250W-3000-80D-GY-GP	250	3000	0.95	31250	125	1188	50000	100
709000025400	LED Floodlight-E III 250W-5700-80D-GY-GP	250	5700	0.95	32500	130	1188	50000	100
709000025500	LED Floodlight-E III 250W-3000-45D-GY-GP	250	3000	0.95	31250	125	1188	50000	100
709000025700	LED Floodlight-E III 250W-5700-45D-GY-GP	250	5700	0.95	32500	130	1188	50000	100
709000025800	LED Floodlight-E III 300W-3000-120+30D-GY-GP	300	3000	0.95	37500	125	1428	50000	100
709000026000	LED Floodlight-E III 300W-5700-120+30D-GY-GP	300	5700	0.95	39000	130	1428	50000	100
709000026100	LED Floodlight-E III 300W-3000-80D-GY-GP	300	3000	0.95	37500	125	1428	50000	100
709000026300	LED Floodlight-E III 300W-5700-80D-GY-GP	300	5700	0.95	39000	130	1428	50000	100
709000026400	LED Floodlight-E III 300W-3000-45D-GY-GP	300	3000	0.95	37500	125	1428	50000	100
709000026600	LED Floodlight-E III 300W-5700-45D-GY-GP	300	5700	0.95	39000	130	1428	50000	100
709000078300	LED Floodlight-Mo-P Re570-380W-840-N	380	4000	0.95	53200	140	1810	100000	100
709000078400	LED Floodlight-Mo-P Re570-380W-840-W	380	4000	0.95	53200	140	1810	100000	100
709000078500	LED Floodlight-Mo-P Re570-380W-840-AS	380	4000	0.95	53200	140	1810	100000	100
709000078600	LED Floodlight-Mo-P Re570-380W-857-N	380	5700	0.95	53200	140	1810	100000	100
709000078700	LED Floodlight-Mo-P Re570-380W-857-W	380	5700	0.95	53200	140	1810	100000	100
709000078800	LED Floodlight-Mo-P Re570-380W-857-AS	380	5700	0.95	53200	140	1810	100000	100



Please follow us on Facebook & LinkedIn for more information

See Beyond

Technical Specifications	
CRI	≥80
Colour Consistency (SDCM)	<6
Dimmable	No
Housing Colour	Grey
IP	IP66
IK	IK08
Driver integrated (Yes/No)	Yes
Driver failure rate	1% at 5000h
Glow wire test	650°C
Weight (kg/pc)	7.49/7.72/7.77/7.4/7.68/7.65/8.9

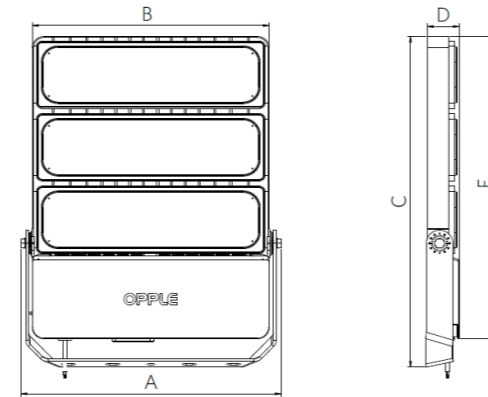
Electrical Supply	
Frequency (Hz)	50/60
Voltage (V)	220-240
AC / DC	AC

Mechanical Properties	
Driver Housing material	Die-cast Aluminium
Reflector Material	PC

Application Conditions	
Operating Temperature	-40-50°C
Application Temperature	25°C
Storage Environment	-40-65°C

CB

Dimensional Drawing

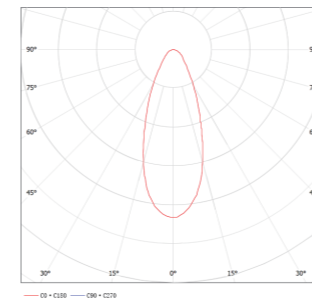


Model	A(mm)	B(mm)	C(mm)	D(mm)	E(mm)
LED FL-E III 250W	439	400	570	54	521
LED FL-E III 300W	439	400	570	54	521
LED FL-E III 380W	439	400	570	54	521

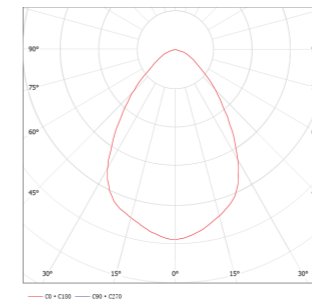
Packaging Information

Item Code	Item Description	Single Box(1pc/box)		Outer box		
		Dimensions(mm) (LxWxH)	Gross Weight (kg)	Dimensions(mm) (LxWxH)	Gross Weight (kg)	Packing Qty (pcs/CTN)
709000024900	LED Floodlight-E III 250W-3000-120+30D-GY-GP	465*62*610	8.258	485*210*625	25.496	3
709000025100	LED Floodlight-E III 250W-5700-120+30D-GY-GP	465*62*610	8.258	625*210*485	25.496	3
709000025200	LED Floodlight-E III 250W-3000-80D-GY-GP	465*62*610	8.488	625*210*485	26.186	3
709000025400	LED Floodlight-E III 250W-5700-80D-GY-GP	465*62*610	8.488	625*210*485	26.186	3
709000025500	LED Floodlight-E III 250W-3000-45D-GY-GP	465*62*610	8.468	625*210*485	26.126	3
709000025700	LED Floodlight-E III 250W-5700-45D-GY-GP	465*62*610	8.468	625*210*485	26.126	3
709000025800	LED Floodlight-E III 300W-3000-120+30D-GY-GP	465*62*610	8.208	625*210*485	25.346	3
709000026000	LED Floodlight-E III 300W-5700-120+30D-GY-GP	465*62*610	8.208	625*210*485	25.346	3
709000026100	LED Floodlight-E III 300W-3000-80D-GY-GP	465*62*610	8.448	625*210*485	26.066	3
709000026300	LED Floodlight-E III 300W-5700-80D-GY-GP	465*62*610	8.448	625*210*485	26.066	3
709000026400	LED Floodlight-E III 300W-3000-45D-GY-GP	465*62*610	8.418	625*210*485	25.976	3
709000026600	LED Floodlight-E III 300W-5700-45D-GY-GP	465*62*610	8.418	625*210*485	25.976	3
709000078300	LEDfloodMo-P Re570-380W-840-N	465*62*610	9.333	625*210*485	27.999	3
709000078400	LEDfloodMo-P Re570-380W-840-W	465*62*610	9.333	625*210*485	27.999	3
709000078500	LEDfloodMo-P Re570-380W-840-AS	465*62*610	9.333	625*210*485	27.999	3
709000078600	LEDfloodMo-P Re570-380W-857-N	465*62*610	9.333	625*210*485	27.999	3
709000078700	LEDfloodMo-P Re570-380W-857-W	465*62*610	9.333	625*210*485	27.999	3
709000078800	LEDfloodMo-P Re570-380W-857-AS	465*62*610	9.333	625*210*485	27.999	3

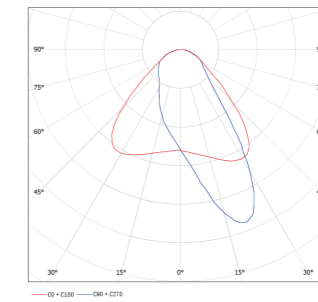
Photometric Data



45° (N)



80° (W)



40*100°(AS)

OPPLE SHANGHAI OFFICE
 Building V3, The Mixc, 1799 Wuzhong Road,
 Minhang District, Shanghai, China
 ZIP: 201103
T + 86 21 3855 0000
E intersales@opple.com

WWW.OPPLE.COM/EN