

Clean Room Panel P2

Benefits



Up to
120 lm/W



No Blue Light



Flicker Free



10yrs
Care Free



Never Fading



Dustproof &
Waterproof

Application



Hospital



Food factory



Electronic factory



Laboratory

Specification

Item Code	Item Description	Power (W)	CCT (K)	Voltage (V)	Lumen (lm)	Efficacy (lm/W)	Angle Beam (°)	Life Time (L70B50)	MOQ (pcs)
532003005700	LEDPSL-P2 Sq595-40W-4000-IP65-WH-GP	40	4000	220-240	4,800	120	100	50000	500
532003005800	LEDPSL-P2 Sq595-40W-6500-IP65-WH-GP	40	6500	220-240	4,800	120	100	50000	500
532003005900	LEDPSL-P2 Sq595-60W-4000-IP65-WH-GP	60	4000	220-240	7,200	120	100	50000	500
532003006000	LEDPSL-P2 Sq595-60W-6500-IP65-WH-GP	60	6500	220-240	7,200	120	100	50000	500
532003005400	LEDPSL-P2 Re295-40W-4000-IP65-WH-GP	40	4000	220-240	4,800	120	100	50000	500
532003005500	LEDPSL-P2 Re295-40W-6500-IP65-WH-GP	40	6500	220-240	4,800	120	100	50000	500
532003005600	LEDPSL-P2 Re295-60W-4000-IP65-WH-GP	60	4000	220-240	7,200	120	100	50000	500
532003005300	LEDPSL-P2 Re295-60W-6500-IP65-WH-GP	60	6500	220-240	7,200	120	100	50000	500

Technical Specification

On/Off Cycles	50000
Colour Consistency(SDCM)	≤4
Tunable	No
Housing Colour	White
IP	IP65
Driver integrated(Yes/No)	No
Glow wire test	650°C
UGR	22

Electrical Supply

Frequency (Hz)	50/60
Voltage (V)	220-240V
AC / DC	AC

Mechanical and Finishing Properties

Housing Material	Aluminum
Optical Material	PMMA

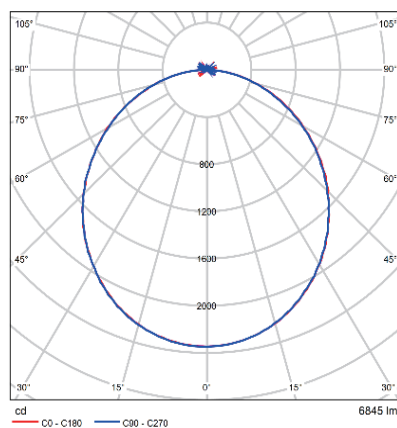
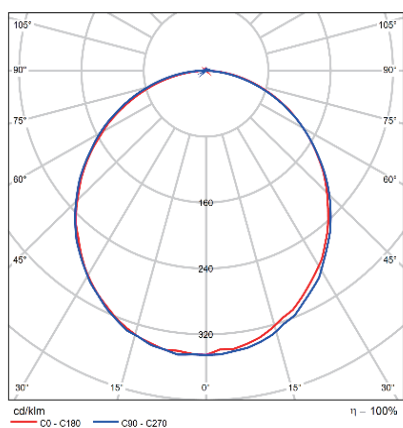
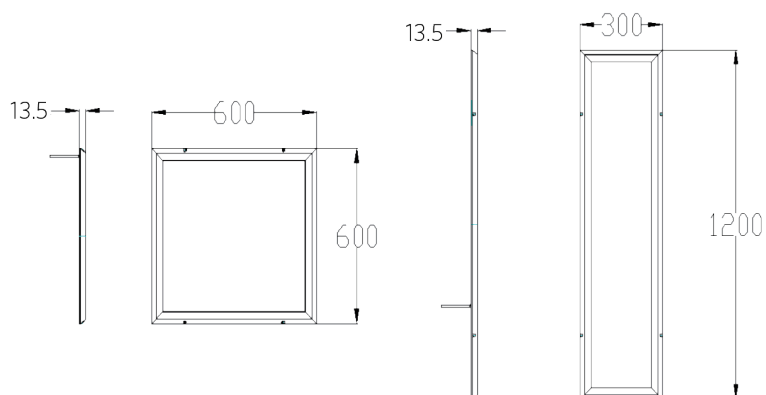
Application Conditions

Operating Temperature	-10-+45°C
Storage Environment	-25-+50°C

Packaging Information

Item		Outer box
Item Code	Item Description	Dimensions(mm) (LxWxH) Packing Qty (pcs/CTN)
532003005700	LEDPSL-P2 Sq595-40W-4000-IP65-WH-GP	725*700*115 4
532003005800	LEDPSL-P2 Sq595-40W-6500-IP65-WH-GP	725*700*115 4
532003005900	LEDPSL-P2 Sq595-60W-4000-IP65-WH-GP	725*700*115 4
532003006000	LEDPSL-P2 Sq595-60W-6500-IP65-WH-GP	725*700*115 4
532003005400	LEDPSL-P2 Re295-40W-4000-IP65-WH-GP	1325*400*115 4
532003005500	LEDPSL-P2 Re295-40W-6500-IP65-WH-GP	1325*400*115 4
532003005600	LEDPSL-P2 Re295-60W-4000-IP65-WH-GP	1325*400*115 4
532003005300	LEDPSL-P2 Re295-60W-6500-IP65-WH-GP	1325*400*115 4

Dimensional Drawing



OPPLE SHANGHAI OFFICE
 Building V3, The Mixc, 1799 Wuzhong Road,
 Minhang District, Shanghai, China
 ZIP: 201103
T + 86 21 3855 0000
E intersales@opple.com

WWW.OPPLE.COM/EN