



## LED Streetlight P2



Up to 150 lm/W



Extra Long Life



Up to 10KV Surge Protection



Impact Resistant



Dustproof & Waterproof



Rustproof

### Application



### Specification

Item Code	Item Description	Power (W)	CCT (K)	Power Factor	Lumen (lm)	Efficacy (lm/W)	Input Current (mA)	Lifetime (L70B50)	MOQ (pcs)
543014020710	LED Streetlight-P2 80W-3000-GY-GP	80	3000	0.95	11000	138	370	50000	100
543014020810	LED Streetlight-P2 80W-4000-GY-GP	80	4000	0.95	11000	138	370	50000	100
543014020910	LED Streetlight-P2 80W-5700-GY-GP	80	5700	0.95	11000	138	370	50000	100
543014021010	LED Streetlight-P2 120W-3000-GY-GP	120	3000	0.95	17000	142	560	50000	100
543014021110	LED Streetlight-P2 120W-4000-GY-GP	120	4000	0.95	17000	142	560	50000	100
543014021210	LED Streetlight-P2 120W-5700-GY-GP	120	5700	0.95	17000	142	560	50000	100
705000110300	LED Streetlight-P2 150W-3000-GY-GP-2	150	3000	0.95	21000	140	690	50000	100
705000110400	LED Streetlight-P2 150W-4000-GY-GP-2	150	4000	0.95	21000	140	690	50000	100
705000110500	LED Streetlight-P2 150W-5700-GY-GP-2	150	5700	0.95	21000	140	690	50000	100
705000110600	LED Streetlight-P2 180W-3000-GY-GP-2	180	3000	0.95	27000	150	830	50000	100
705000110700	LED Streetlight-P2 180W-4000-GY-GP-2	180	4000	0.95	27000	150	830	50000	100
705000110800	LED Streetlight-P2 180W-5700-GY-GP-2	180	5700	0.95	27000	150	830	50000	100

#### Technical Specifications

On/Off Cycle	25,000
CRI	≥70
Colour Consistency (SDCM)	5
Dimmable	No
Housing Colour	Grey
IP	IP66
IK	IK08
Driver integrated (Yes/No)	Yes
Glow wire test	650°C
Driver failure rate	1% at 5000h
Weight (kg/pc)	6.7/7.8/7.8/8.8

#### Electrical Supply

Frequency (Hz)	50/60
Voltage (V)	100-240
AC/DC	AC

#### Mechanical Properties

Housing Material	Die-cast Aluminum
Optical Material	PC

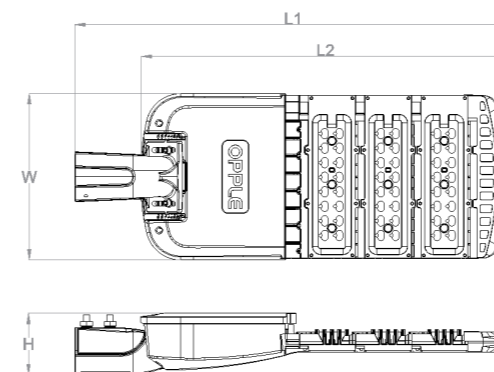
#### Application Conditions

Operating Temperature	-35-50°C
Application Temperature	25°C
Storage Environment	-40-65°C

### Packaging Information

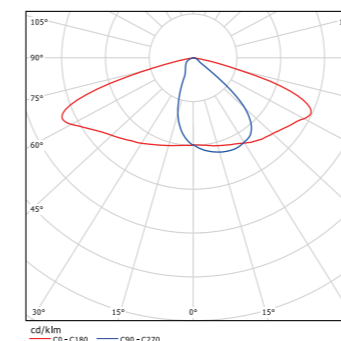
Item		Packaging Unit (1pc/unit)	
Item Code	Item Description	Dimensions(mm) (LxWxH)	Gross Weight (kg)
543014020710	LED Streetlight-P2 80W-3000-GY-GP	750*355*155	7.8
543014020810	LED Streetlight-P2 80W-4000-GY-GP	750*355*155	7.8
543014020910	LED Streetlight-P2 80W-5700-GY-GP	750*355*155	7.8
543014021010	LED Streetlight-P2 120W-3000-GY-GP	845*355*155	9.2
543014021110	LED Streetlight-P2 120W-4000-GY-GP	845*355*155	9.2
543014021210	LED Streetlight-P2 120W-5700-GY-GP	845*355*155	9.2
705000110300	LED Streetlight-P2 150W-3000-GY-GP-2	854*355*155	9.2
705000110400	LED Streetlight-P2 150W-4000-GY-GP-2	854*355*155	9.2
705000110500	LED Streetlight-P2 150W-5700-GY-GP-2	854*355*155	9.2
705000110600	LED Streetlight-P2 180W-3000-GY-GP-2	940*355*155	10.8
705000110700	LED Streetlight-P2 180W-4000-GY-GP-2	940*355*155	10.8
705000110800	LED Streetlight-P2 180W-5700-GY-GP-2	940*355*155	10.8

### Dimensional Drawing



Model	L1(mm)	L2(mm)	W(mm)	H(mm)
LED SL-P2 80W	647	533	286	105
LED SL-P2 120W	743	629	286	105
LED SL-P2 150W	743	629	286	105
LED SL-P2 180W	935	821	286	105

### Photometric Data



146°+66°