



LED Performer Linear Trace

Features

- High efficacy
- Easy Installation
- Flicker Free

Benefits

- High lumen put up to 110lm/W, Huge energy saving up to 65%
- Simple installation with snap-in mounting of connector
- Light without flicker reduces stress while working/living underneath

Application



Library



Shopping Mall



Office



Hospital



Conference Room



School

Specification

Item Code	Item Description	Power (W)	Power Factor	CCT (K)	Lumen (lm)	Efficacy (lm/W)	Input Current (mA)	Lifetime (L70B50)	MOQ (pcs)
542005041310	LED-P-Linear Trace-SP-L600-15W CONN.1	15	0.95	4000	1650	110	80	50000	300
542005041410	LED-P-Linear Trace-SP-L600-15W CONN.1 BLE	15	0.95	4000	1650	110	80	50000	300
542005041510	LED-P-Linear Trace-SP-L600-15W CONN.1 DALI	15	0.95	4000	1650	110	80	50000	300
542005041610	LED-P-Linear Trace-SP-L600-15W CONN.2	15	0.95	4000	1650	110	80	50000	300
542005041710	LED-P-Linear Trace-SP-L600-15W CONN.2 BLE	15	0.95	4000	1650	110	80	50000	300
542005041810	LED-P-Linear Trace-SP-L600-15W CONN.2 DALI	15	0.95	4000	1650	110	80	50000	300
542005041910	LED-P-Linear Trace-SP-L1200-30W	30	0.95	4000	3300	110	140	50000	300
542005042010	LED-P-Linear Trace-SP-L1200-30W BLE	30	0.95	4000	3300	110	140	50000	300
542005042110	LED-P-Linear Trace-SP-L1200-30W DALI	30	0.95	4000	3300	110	140	50000	300
542005042210	LED-P-Linear Trace-SP-L1200-30W CONN.1	30	0.95	4000	3300	110	140	50000	300
542005042310	LED-P-Linear Trace-SP-L1200-30WCONN.1BLE	30	0.95	4000	3300	110	140	50000	300
542005042410	LED-P-Linear Trace-SP-L1200-30W CONN.1 DALI	30	0.95	4000	3300	110	140	50000	300
542005042510	LED-P-Linear Trace-SP-L1200-30W CONN.2	30	0.95	4000	3300	110	140	50000	300
542005042610	LED-P-Linear Trace-SP-L1200-30W CONN.2 BLE	30	0.95	4000	3300	110	140	50000	300
542005042710	LED-P-Linear Trace-SP-L1200-30W CONN.2 DALI	30	0.95	4000	3300	110	140	50000	300
542005042810	LED-P-Linear Trace-SP-L-CONN.	15	0.95	4000	1650	110	80	50000	300
542005042910	LED-P-Linear Trace-SP-L-CONN.BLE	15	0.95	4000	1650	110	80	50000	300
542005043010	LED-P-Linear Trace-SP-L-CONN.DALI	15	0.95	4000	1650	110	80	50000	300
542005043110	LED-P-Linear Trace-SP-T-CONN.	23	0.95	4000	2530	110	110	50000	300
542005043210	LED-P-Linear Trace-SP-T-CONN.BLE	23	0.95	4000	2530	110	110	50000	300
542005043310	LED-P-Linear Trace-SP-T-CONN.DALI	23	0.95	4000	2530	110	110	50000	300
542005043410	LED-P-Linear Trace-SP-X-CONN.	30	0.95	4000	3300	110	140	50000	300
542005043510	LED-P-Linear Trace-SP-X-CONN.BLE	30	0.95	4000	3300	110	140	50000	300
542005043610	LED-P-Linear Trace-SP-X-CONN.DALI	30	0.95	4000	3300	110	140	50000	300

Accessory

Item Code	Item Description	Packaging Unit		MOQ
		Carton Dimensions(mm) (LxWxH)	Note	
542098021310	LED-P-Linear Trace-SP-Suspended Rope	500*348*200	64pcs/CTN	100
542098021410	LED-P-Linear Trace-End cap	265*235*205	60pcs/CTN	100
542098021510	LED-P-Linear Trace-L1800-Cover	430*430*330	16 rolls/CTN	100
542098021610	LED-P-Linear Trace-L2400-Cover	430*430*330	16 rolls/CTN	100
542098021710	LED-P-Linear Trace-L3000-Cover	430*430*330	16 rolls/CTN	100
542098021810	LED-P-Linear Trace-L6000-Cover	506*506*336	16 rolls/CTN	100
542098021910	LED-P-Linear Trace-L12000-Cover	730*375*330	8 rolls/CTN	100
542098022010	LED-P-Linear Trace-Cutter	255*135*105	100 rolls/CTN	100

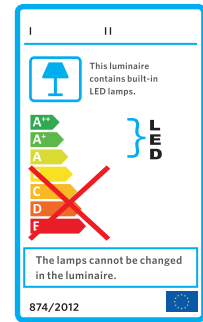
Technical Specifications	
On/Off Cycles	100000
Colour Consistency(SDCM)	6
Dimmable	Yes
Housing Colour	White
IP	IP20
IK	IK02
Driver integrated(Yes/No)	No
Glow wire test	650°C
Driver failurer rate	1% at 5000h

Electrical Supply	
Frequency (Hz)	50/60
Voltage (V)	220-240
AC / DC	AC

Mechanical Properties	
Housing Material	Aluminum
Optical Material	PC

Application Conditions	
Operating Temperature	-10-45°C
Storage Environment	-25-50°C

CB



Packaging Information

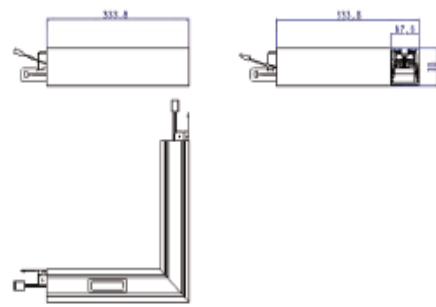
Item Code	Item Description	Single Box(1pc/box)		Packing Unit		
		Dimensions(mm) (LxWxH)	Gross Weight (kg)	Dimensions(mm) (LxWxH)	Gross Weight (kg)	Packing Qty (pcs/unit)
542005041310	LED-P-Linear Trace-SP-L600-15W CONN.1	68*78*663	1.94	730*265*290	7.7	4
542005041410	LED-P-Linear Trace-SP-L600-15W CONN.1 BLE	68*78*663	1.94	730*265*290	7.7	4
542005041510	LED-P-Linear Trace-SP-L600-15W CONN.1 DALI	68*78*663	1.94	730*265*290	7.7	4
542005041610	LED-P-Linear Trace-SP-L600-15W CONN.2	68*78*720	1.97	805*265*290	7.9	4
542005041710	LED-P-Linear Trace-SP-L600-15W CONN.2 BLE	68*78*720	1.97	805*265*290	7.9	4
542005041810	LED-P-Linear Trace-SP-L600-15W CONN.2 DALI	68*78*720	1.97	805*265*290	7.9	4
542005041910	LED-P-Linear Trace-SP-L1200-30W	68*78*1206	3.12	1295*230*220	12.5	4
542005042010	LED-P-Linear Trace-SP-L1200-30W BLE	68*78*1206	3.12	1295*230*220	12.5	4
542005042110	LED-P-Linear Trace-SP-L1200-30W DALI	68*78*1206	3.12	1295*230*220	12.5	4
542005042210	LED-P-Linear Trace-SP-L1200-30W CONN.1	68*78*1320	3.11	1340*270*255	12.4	4
542005042310	LED-P-Linear Trace-SP-L1200-30WCONN.1BLE	68*78*1320	3.11	1340*270*255	12.4	4
542005042410	LED-P-Linear Trace-SP-L1200-30W CONN.1 DALI	68*78*1320	3.11	1340*270*255	12.4	4
542005042510	LED-P-Linear Trace-SP-L1200-30W CONN.2	68*78*1263	3.12	1405*270*255	12.5	4
542005042610	LED-P-Linear Trace-SP-L1200-30W CONN.2 BLE	68*78*1263	3.12	1405*270*255	12.5	4
542005042710	LED-P-Linear Trace-SP-L1200-30W CONN.2 DALI	68*78*1263	3.12	1405*270*255	12.5	4
542005042810	LED-P-Linear Trace-SP-L-CONN.	394*394*78	2.24	465*405*475	6.7	3
542005042910	LED-P-Linear Trace-SP-L-CONN.BLE	394*394*78	2.24	465*405*475	6.7	3
542005043010	LED-P-Linear Trace-SP-L-CONN.DALI	394*394*78	2.24	465*405*475	6.7	3
542005043110	LED-P-Linear Trace-SP-T-CONN.	720*394*78	3.12	460*400*800	9.4	3
542005043210	LED-P-Linear Trace-SP-T-CONN.BLE	720*394*78	3.12	460*400*800	9.4	3
542005043310	LED-P-Linear Trace-SP-T-CONN.DALI	720*394*78	3.12	460*400*800	9.4	3
542005043410	LED-P-Linear Trace-SP-X-CONN.	720*720*78	3.61	665*665*110	3.6	1
542005043510	LED-P-Linear Trace-SP-X-CONN.BLE	720*720*78	3.61	665*665*110	3.6	1
542005043610	LED-P-Linear Trace-SP-X-CONN.DALI	720*720*78	3.61	665*665*110	3.6	1

Dimensional Drawing

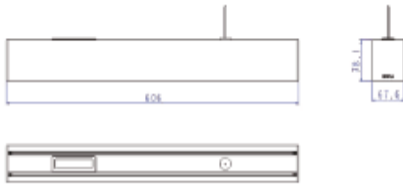
L1200 LxWxH=1206x67.6x78.1mm



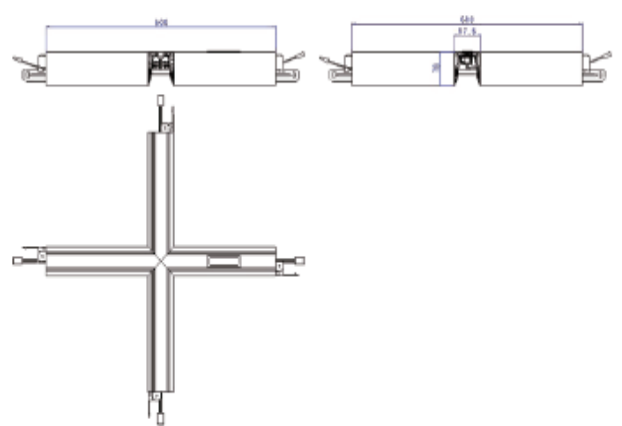
"L" LxWxH=333.8x333.8x78mm



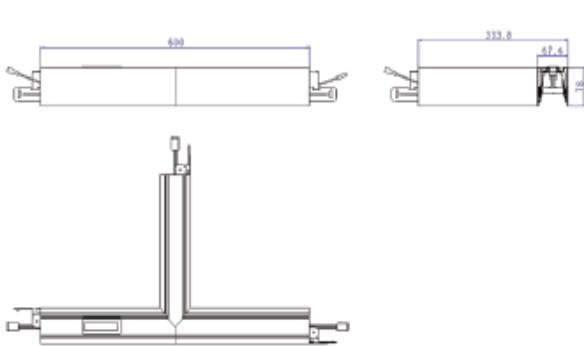
L600 LxWxH=606x67.6x78.1mm



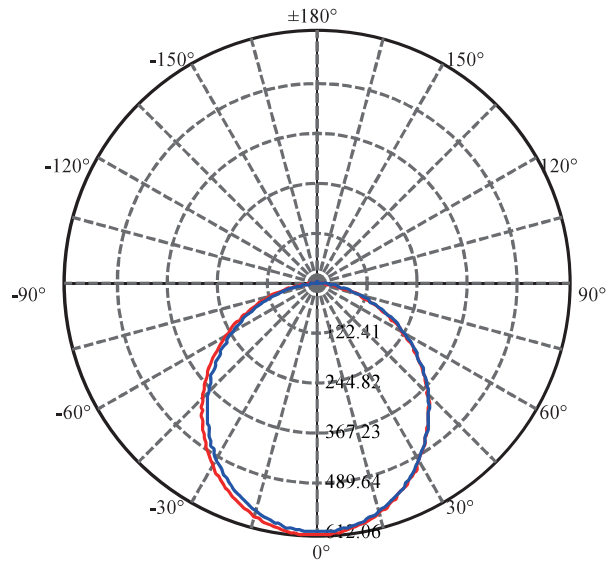
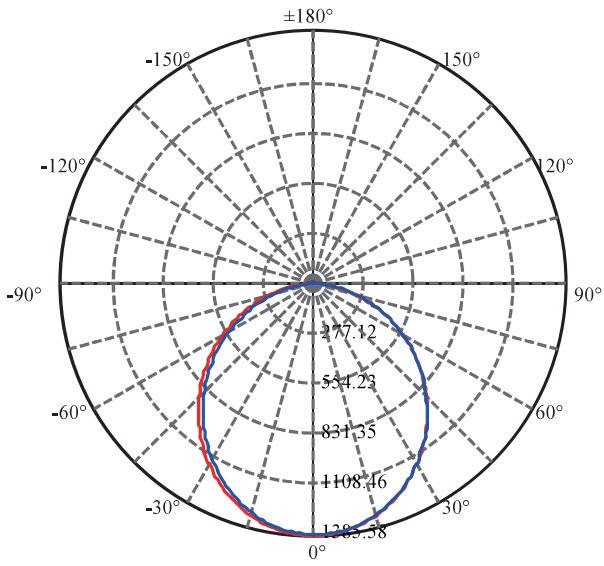
"+" LxWxH=600x600x78mm



"T" LxWxH=600x333.8x78mm



Photometric Data



OPPLE SHANGHAI OFFICE

Building V3, The Mixc, 1799 Wuzhong Road,
Minhang District, Shanghai, China
ZIP: 201103

T +86 21 3855 0000

E intersales@opple.com

WWW.OPPLE.COM/EN